

UNDER-THE-SINK WATER FILTER **AQA DRINK PURE 2.0 – NEW**

THE MODERN KITCHEN AID THAT'S AN ABSOLUTE PLEASURE.

FILTER CARTRIDGE

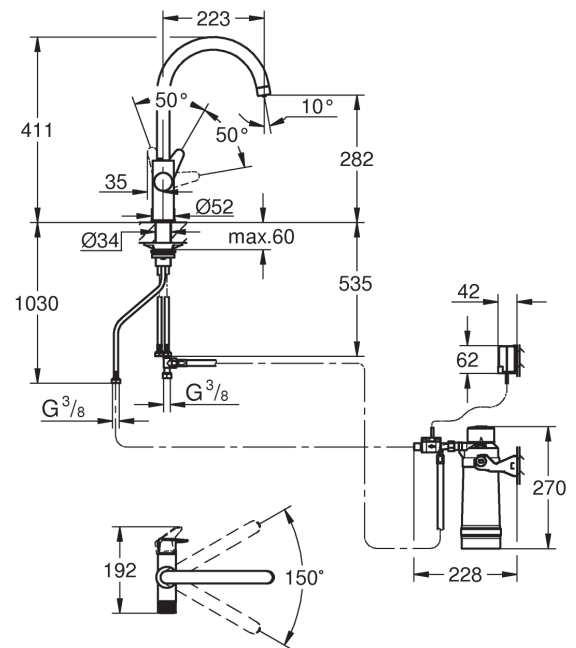
Every filter of the AQA drink filter program can be combined with the new BWT tap powered by Grohe. Improve your drinking water by enriching it with magnesium, zinc or silicate! Five filtration stages reduce substances such as chlorine, which can affect the smell and taste, and heavy metals, such as copper, lead and nickel. The filter also reliably removes limescale and therefore protects your household appliances.

TAP

Via two levers you can choose, if you would like to drink filtered water or normal, unfiltered hot or cold tap water. Two separate water channels inside the system make this possible.

FILTER REPLACEMENT INDICATOR

The filter capacity is controlled by a programmable counter unit, which is connected through the flow sensor with the filter cartridge. You can program the capacity and runtime of the used filter. An acoustic signal indicates when the filter cartridge must be changed.



THE NEW FILTER TAP POWERED BY GROHE

01  **02** 

+

CHOOSE YOUR INDIVIDUAL FILTER FROM THE AQA DRINK FILTER PROGRAM

GROHE

AQA DRINK FILTER PROGRAM

- » NEW: THE TAP CAN BE COMBINED WITH EVERY FILTER OF THE AQA DRINK FILTER PROGRAM
- » COMPLETE SOLUTION
- » ONE TAP – TWO WATER OPTIONS
- » FILTER REPLACEMENT INDICATOR WITH ACOUSTIC SIGNAL

TECHNICAL DATA TAP

INFORMATION	SET
Article number	125560433
Style	C spout
Tap Colour	Chrome
Tap Material	Metal
Assembly	Single-hole assembly
Ø Drill Worktop	34 mm
Operation	Swivel spout, single lever mixer and additional lever
Power Connection	no
Tap Height	411 mm
Tap Connectors	Braided hose with 3/8" swivel nut

TECHNICAL DATA AQA MONITOR

INFORMATION	AQA MONITOR
Connection thread (in/out)	3/8" nut x 3/8" connection thread
Intake pressure (min/max)	2-8 bar
Flow capacity	0,8-15 l/min
Dimensions (L x W x H)	80 × 47 × 30 mm
Installation position	horizontal



BWT

**CHANGE
THE WORLD**

sip by sip

BWT AUSTRIA GmbH

Walter-Simmer-Straße 4, 5310 Mondsee
T: +43 6232 5011-0 | F: +43 6232 4058
M: office@bwt.at



BWT Best Water Home

